



Centrifugal Sanitary Pumps

CL-CLC series

Standard design

Available in a wide range of models with closed or open impellers and 2 or 4 pole motors, this well-established series of hygienic pumps can perform an amazing number of applications. The special construction with hand-nuts & clamps allows easy disassembly for inspection and cleaning of the internal components

Wetted parts are in forged polished plate and investment cast electropolished AISI 316 stainless steel.

Flow rates up to 140 m³/h, heads up to max. 70 m. (7 bar).

Seals:

Mechanical seals with seats to EN 12756, ISO 3069 standards.

Single internal mechanical seal

Single external mechanical seal

Double flushed mechanical seal

Elastomers (certified to FDA)::

EPDM

Fluorocarbon (Viton)

Silicone

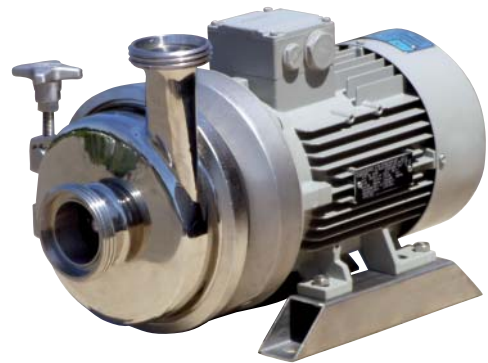
P.T.F.E. (FEP)

Connections:

DIN - SMS - IDF - BS / RJT - DS - CLAMP and EN 1092-1 PN16 flanges suitable for most international standards.

Applications

Food processing, dairy, beverage, chemical, cosmetics and pharmaceutical industries. With an open impeller, juices, creams, ice-cream mix, milk, wine, spirits and whey, can be safely transferred at low pressure. While with a higher efficiency closed impeller, clean liquids without solids can be pumped at medium-high heads (max. 60-70 m) to feed pasteurizers and coolers, concentrators, filters, CIP systems, etc.



CL-CLC pump



CL-CLC pump with shroud



Open



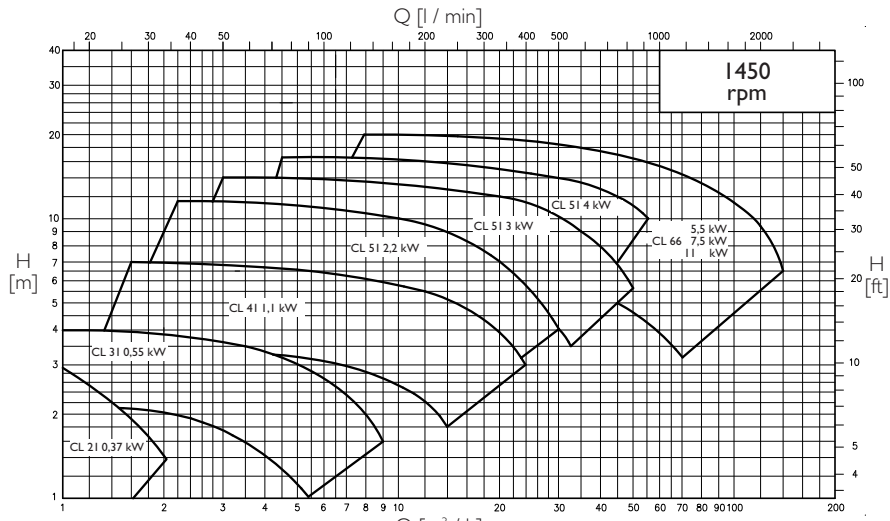
Closed in 2 pieces



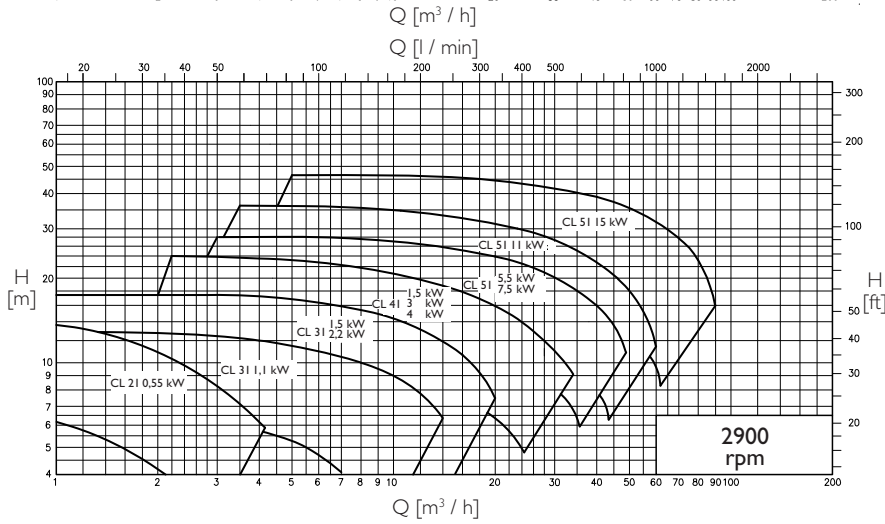
Closed

All impellers, both closed and open, have reversed blades, designed to optimize the hydraulic efficiency.

OPEN IMPELLER



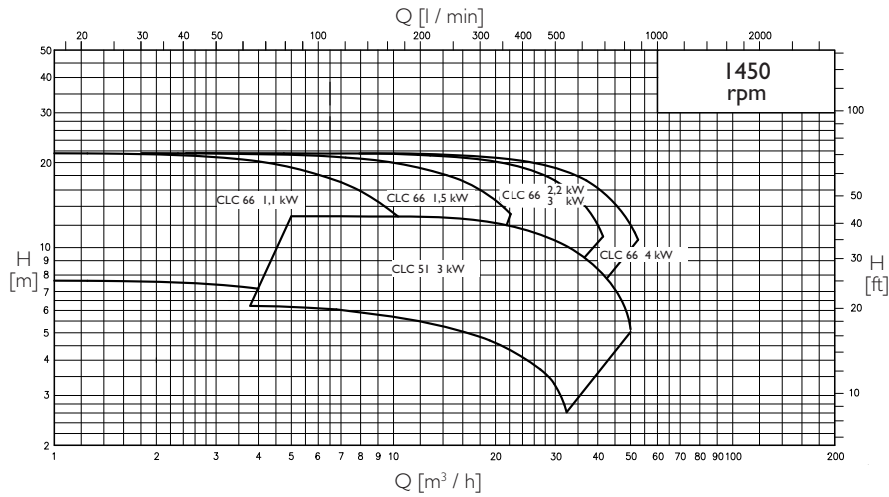
CL GENERAL DIAGRAM



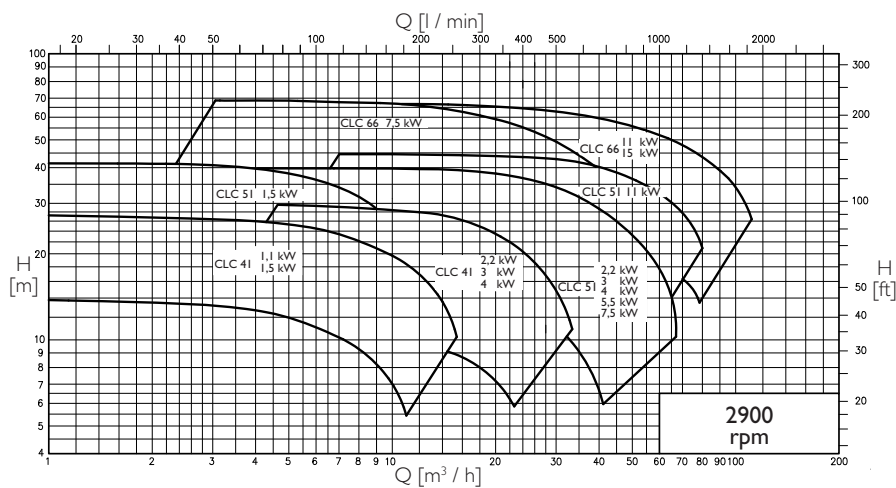
Performance applies to H₂O at 20 °C, 1013 millibar

Data not binding.

CLOSED IMPELLER



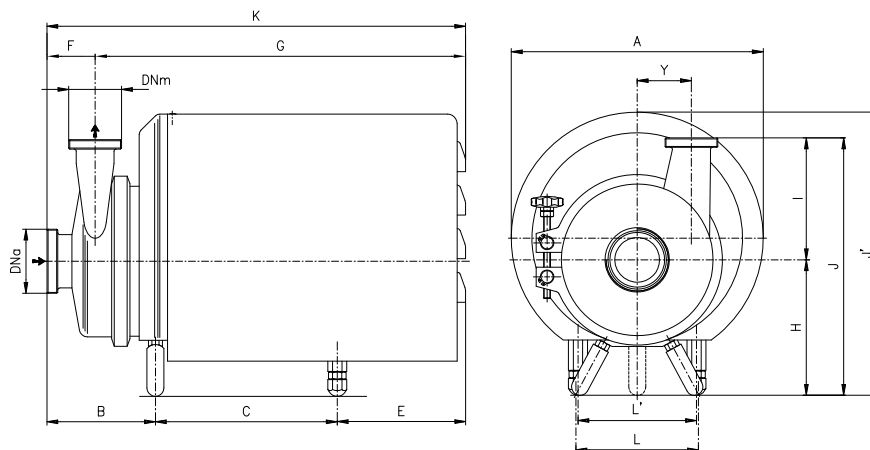
CLC GENERAL DIAGRAM



Performance applies to H₂O at 20 °C, 1013 millibar

Data not binding.

OVERALL DIMENSIONS (INCLUDING SHROUD)



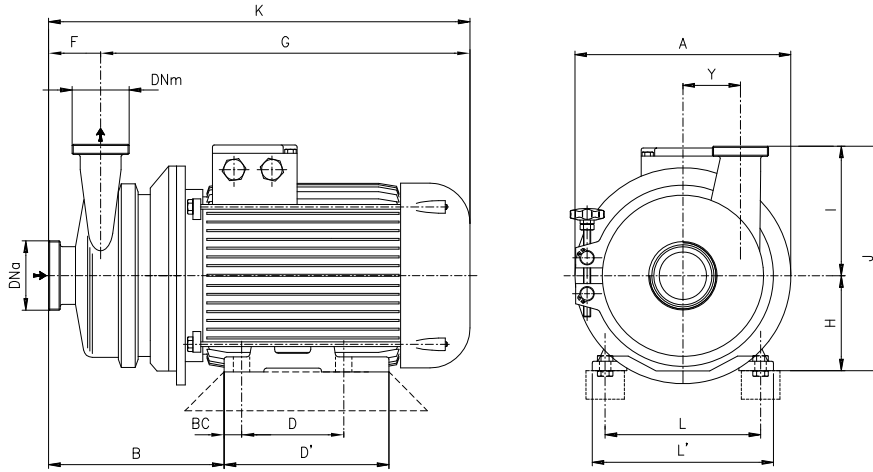
Dimensions not binding - DN = DIN 11851 male threaded connections

Pumps	rpm	kW	DNa	DNm	A	B	C	E	F	G	K	H	I	J	J'	L	L'	Y
CL 21../P	1450	0,37	25	25	205	152	90	112	52	302	354	71	95	166	198	112	136	0
CL 21../P	2900	0,55	25	25	205	152	90	112	52	302	354	71	95	166	198	112	136	0
CL 21../P	2900	0,75	25	25	190	149	90	113	45	307	352	71	95	166	190	112	112	0

Pumps	rpm	kW	DNa	DNm	A	B	C	E	F	G	K	H	I	J	J'	L	L'	Y
CL 31../P		0,55	40	40	239	118	195	147	51	414	465	155	125	280	290	200	-	40
CL 41../P	1,1	50	40	298	159	168	180	62	445	507	160	150	310	324	190	-	60	
CL 51../P	2,2	65	50	298	154	188	219	66	495	561	165	180	375	359	180	-	80	
	3	65	50	298	173	188	219	72	508	580	195	180	375	359	180	-	80	
	4	80	65	298	177	195	212	76	508	584	195	200	395	359	180	-	70	
CL 66../P	5,5	100	80	368	203	228	230	98	563	661	233	220	453	449	212	115	80	
	7,5	100	80	368	203	228	230	98	563	661	233	220	453	449	212	115	80	
	11	100	80	368	203	211	247	98	563	661	233	220	453	462	212	185	80	
CLC 51../P	3	80	65	298	177	188	219	76	508	584	195	200	395	359	180	-	70	
	4	80	65	298	177	188	219	76	508	584	195	200	395	359	180	-	70	
CLC 66../P	1,1	50	40	370	156	170	169	90	405	495	195	220	415	361	274	-	110	
	1,5	50	40	370	156	196	143	90	405	495	195	220	415	361	274	-	110	
	2,2	65	50	370	156	227	182	61	475	536	195	220	415	361	274	-	103	
	3	65	50	370	127	217	192	61	475	536	195	220	415	361	274	-	103	
4	65	50	370	127	256	153	61	475	536	195	220	415	361	274	-	103		

CL 31../P	1,1	32	32	239	118	205	137	51	414	465	155	125	280	290	200	-	40
	1,5	32	32	239	118	205	137	51	414	465	155	125	280	290	200	-	40
	2,2	40	40	239	118	235	102	51	414	465	155	125	280	290	200	-	40
CL 41../P	1,5	40	32	298	143	192	152	56	431	487	160	150	310	330	190	-	60
	3	50	40	298	143	217	192	56	496	552	160	150	310	324	168	-	60
CL 51../P	4	50	40	298	143	224	185	56	496	552	160	150	310	324	168	-	60
	5,5	65	50	368	147	228	232	66	541	607	200	180	380	416	178	115	80
	7,5	65	50	368	147	228	232	66	541	607	200	180	380	416	178	115	80
	11	65	50	368	147	211	249	66	541	607	200	180	380	416	178	185	80
CLC 41../P	15	80	65	368	170	211	249	74	541	615	200	200	400	416	178	185	70
	1,1	40	32	298	142	162	186	56	434	490	160	150	310	324	190	-	60
	1,5	40	32	298	142	168	180	56	434	490	160	150	310	324	190	-	60
	2,2	50	40	298	142	193	155	62	434	490	160	150	310	324	190	-	60
CLC 51../P	3	50	40	298	151	217	192	62	498	560	160	150	310	324	168	-	60
	4	50	40	298	151	224	185	62	498	560	160	150	310	324	168	-	60
	1,5	25	25	298	127	165	180	52	420	472	165	160	325	329	152	-	80
	2,2	32	32	298	137	165	180	61	420	481	165	160	325	329	152	-	80
	3	50	40	298	150	188	220	63	495	558	195	160	355	359	180	-	80
	4	50	50	298	161	195	212	66	501	567	195	180	375	359	180	-	80
CLC 66../P	5,5	65	50	368	157	228	231	69	547	616	200	180	380	416	178	115	80
	7,5	65	50	368	157	228	231	69	547	616	200	180	380	416	178	115	80
	11	65	65	368	162	211	253	74	552	626	200	200	400	416	178	185	70
	7,5	65	50	368	152	228	231	54	557	611	233	190	423	449	184	115	103
CLC 66../P	11	65	50	368	152	211	248	54	557	611	233	190	423	462	184	185	103
	15	65	50	368	152	211	248	54	557	611	233	190	423	462	184	185	103

OVERALL DIMENSIONS



Dimensions not binding - DN = DIN 11851 male threaded connections

Pumps	rpm	kW	DNa	DNm	Ø A	B	BC	D	D'	F	G	K	H	I	J	L	L'	Y
CL 21	1450	0,37	25	25	-	142	10	90	110	52	265	317	71	95	166	112	136	0
CL 21	2900	0,55	25	25	-	142	10	90	110	52	265	317	71	95	166	112	136	0
CL 21	2900	0,75	25	25	138	139	10	90	106	45	330	308	71	95	166	112	132	0

Pumps	rpm	kW	DNa	DNm	Ø A	B	BC	D	D'	F	G	K	H	I	J	L	L'	Y
CL 31		0,55	40	40	155	168	12,5	100	118	51	314	365	80	125	205	125	150	40
CL 41	1,1	50	40	200	212	15	100	143	62	391	453	90	150	240	140	165	60	
CL 51	2,2	65	50	254	211	20	140	176	66	415	481	100	180	280	160	196	80	
	3	65	50	254	230	20	140	176	72	428	500	100	180	280	160	196	80	
CL 66	4	80	65	254	241	20	140	176	76	449	525	112	200	312	190	226	70	
	5,5	100	80	300	283	24	140	180	98	494	592	132	220	352	216	256	80	
CLC 51	7,5	100	80	300	283	24	140	180	98	494	592	132	220	352	216	256	80	
	11	100	80	350	308	23	210	256	98	603	701	160	220	380	254	300	80	
CLC 66	3	80	65	254	241	18	140	176	76	428	504	100	200	300	160	196	70	
	4	80	65	254	243	18	140	176	76	449	525	112	200	312	190	226	70	
CLC 66	1,1	50	40	310	210	15	100	143	90	332	402	90	220	310	140	165	110	
	1,5	50	40	310	210	15	125	143	90	337	427	90	220	310	140	165	110	
	2,2	65	50	310	189	20	140	176	61	388	449	100	220	320	160	196	103	
	3	65	50	310	186	20	140	176	61	396	457	100	220	320	160	196	103	
4	65	50	310	186	20	140	176	61	428	489	112	220	332	190	226	103		

CL 31	1,1	32	32	155	168	12,5	100	118	51	314	365	80	125	205	125	150	40
	1,5	32	32	155	172	15	100	143	51	362	413	90	125	215	140	165	40
	2,2	40	40	155	172	15	125	143	51	362	413	90	125	215	140	165	40
CL 41	1,5	40	32	200	195	15	100	143	56	380	436	90	150	240	140	165	60
	3	50	40	250	199	20	140	176	56	413	469	100	150	250	160	196	60
CL 51	4	50	40	250	206	20	140	176	56	434	490	112	150	262	190	226	60
	5,5	65	50	300	230	24	140	176	68	472	540	132	180	312	216	256	80
	7,5	65	50	300	230	24	140	176	68	472	540	132	180	312	216	256	80
	11	65	50	300	241	20	178	220	66	536	602	132	180	312	216	260	80
CLC 41	15	80	65	300	249	20	178	220	74	536	610	132	200	432	216	260	70
	1,1	40	32	200	191	12,5	100	118	56	332	388	80	150	230	125	150	60
	1,5	40	32	200	195	15	100	143	56	380	436	90	150	240	140	165	60
	2,2	50	40	200	195	15	125	143	62	380	436	90	150	240	140	165	60
CLC 51	3	50	40	250	207	20	140	176	62	415	477	100	150	250	160	196	60
	4	50	40	250	214	20	140	176	62	436	498	112	150	262	190	226	60
	1,5	25	25	254	181	15	100	143	52	370	422	90	160	250	140	165	80
	2,2	32	32	254	191	15	125	143	61	370	431	90	160	250	140	165	80
	3	50	40	254	207	20	140	176	63	415	478	100	160	260	160	196	80
	4	50	50	254	224	20	140	176	66	442	508	112	180	272	190	226	80
CLC 66	5,5	65	50	300	241	24	140	180	72	478	550	132	180	312	216	256	80
	7,5	65	50	300	241	24	140	180	72	478	550	132	180	312	216	256	80
	11	65	65	300	249	20	178	220	74	536	610	132	200	432	216	260	70
CLC 66	7,5	65	50	300	233	24	140	180	54	488	542	132	190	322	216	256	103
	11	65	50	300	229	20	178	220	54	539	593	132	190	322	216	260	103
	15	65	50	300	229	20	178	220	54	539	593	132	190	322	216	260	103



CSF Inox S.p.A. Strada per Bibbiano, 7 - 42027 Montecchio E. (RE) - ITALY EU
Ph +39.0522.869911 ra. - Fx +39.0522.865454 / 866758 - csfitalia@csf.it - www.csf.it

Export Department • Commercial Étranger • Comercial Extranjero

Ph +39.0522.869922 - Fx +39.0522.869841 - csfexport@csf.it - www.csf.it