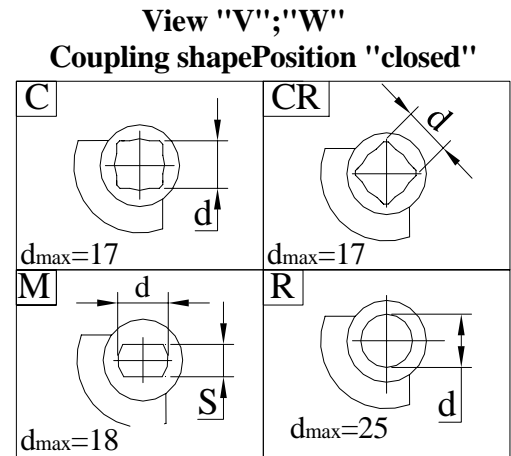
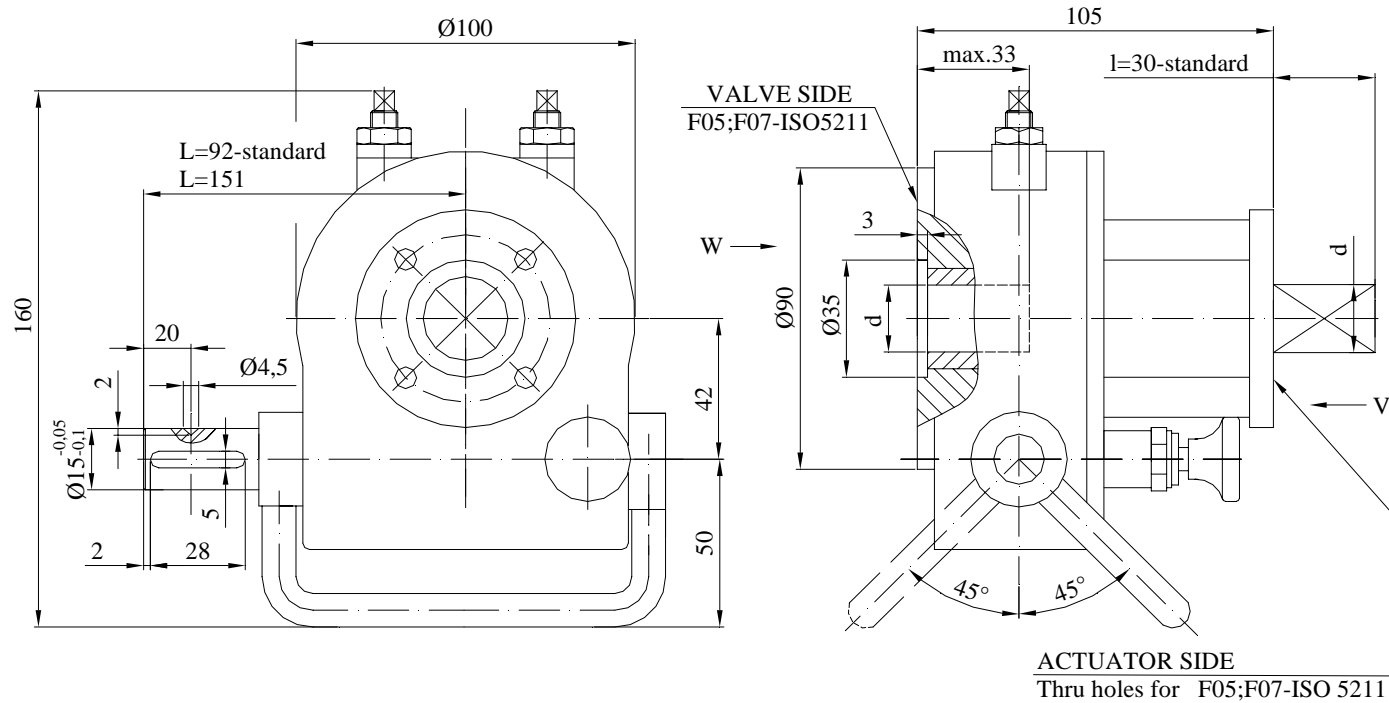


DECLUTCHABLE "1/4-TURN" –ACTUATOR RMD 0A

Sheet nr.	614b
Date	05.03.2003



Alluminium Handwheel - 140-standard
Should be ordered separately

TECHNICAL FEATURES:

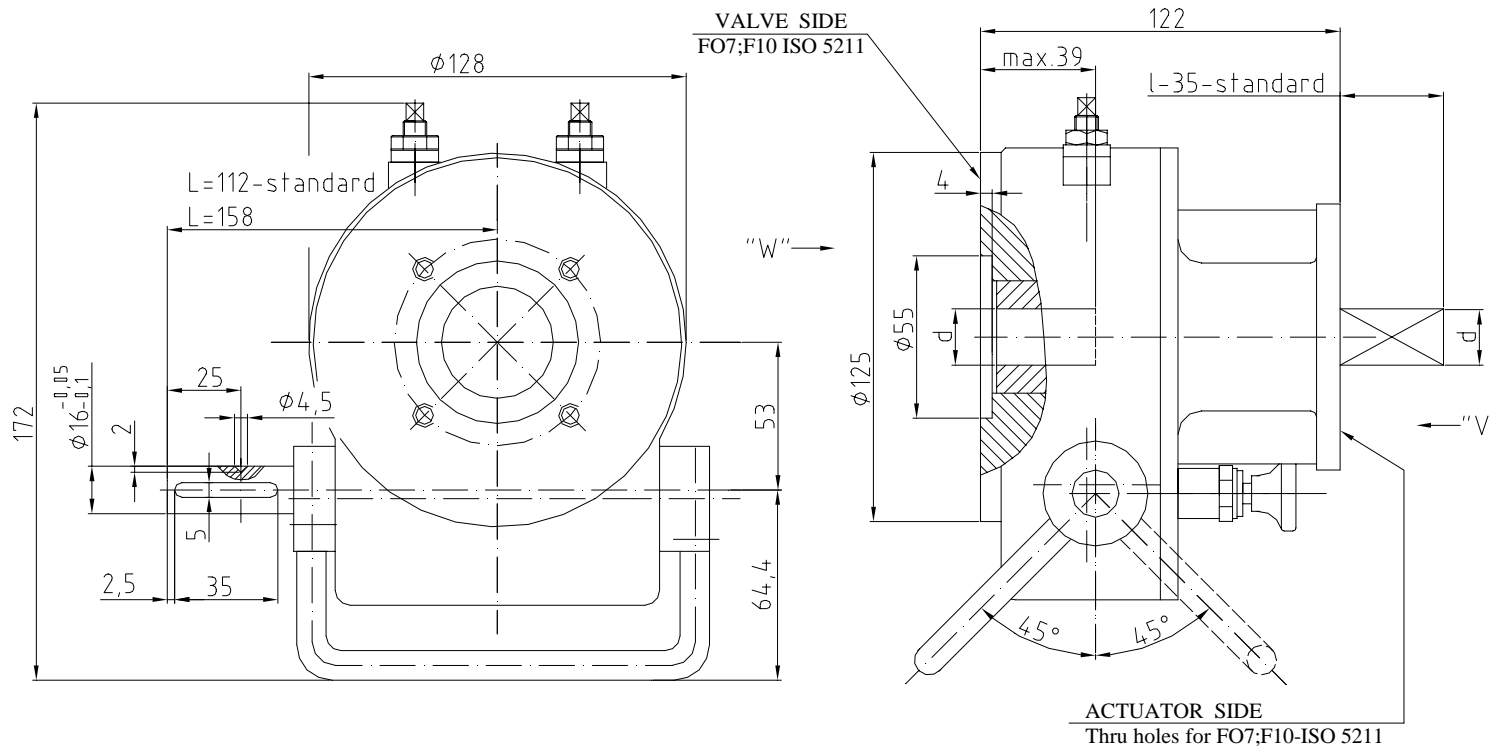
Output rated torque.....125 Nm
 Input torque.....8,8 Nm
 Ratio.....41
 Output angular stroke.....90°±5°
 Handwheel turns for a complete stroke....10,25
 Capsulation.....IP 65
 Materials acc.to Specification nr.128

ORDERING CODE:

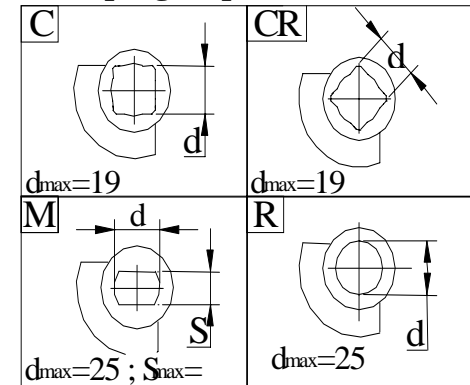
RMD-0A	x	F07	-	C15	/	F05	-	C15	x	30	-	92
Type		Valve side ISO 5211		d-Valve coupling shape		d-Coupling shape & dim. –actuator side		L-Shaft length		l-length		Thru holes for actuator side ISO 5211

DECLUTCHABLE "1/4-TURN" –ACTUATOR RMD 1A

Sheet nr.	615b
Date	05.03.2003



View "V"; "W"
Coupling shape Position "closed"



Alluminium Handweel Ø225-Standard
Should be ordered separately

TECHNICAL FEATURES:

- Output rated torque.....270 Nm
- Input torque.....22,5 Nm
- Ratio.....40
- Output angular stroke..... $90^\circ \pm 5^\circ$
- Handwheel turns for a complete stroke.....10
- Capsulation.....IP 65
- Materials acc.to Specification nr.128

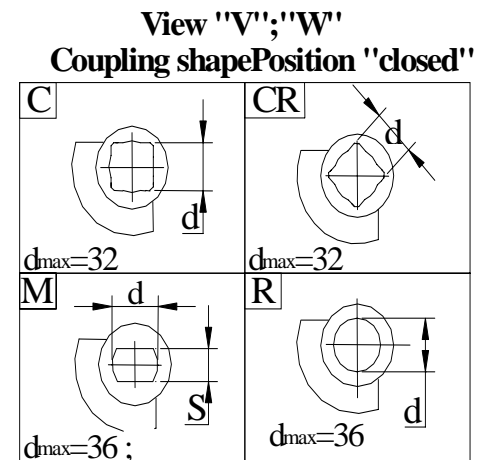
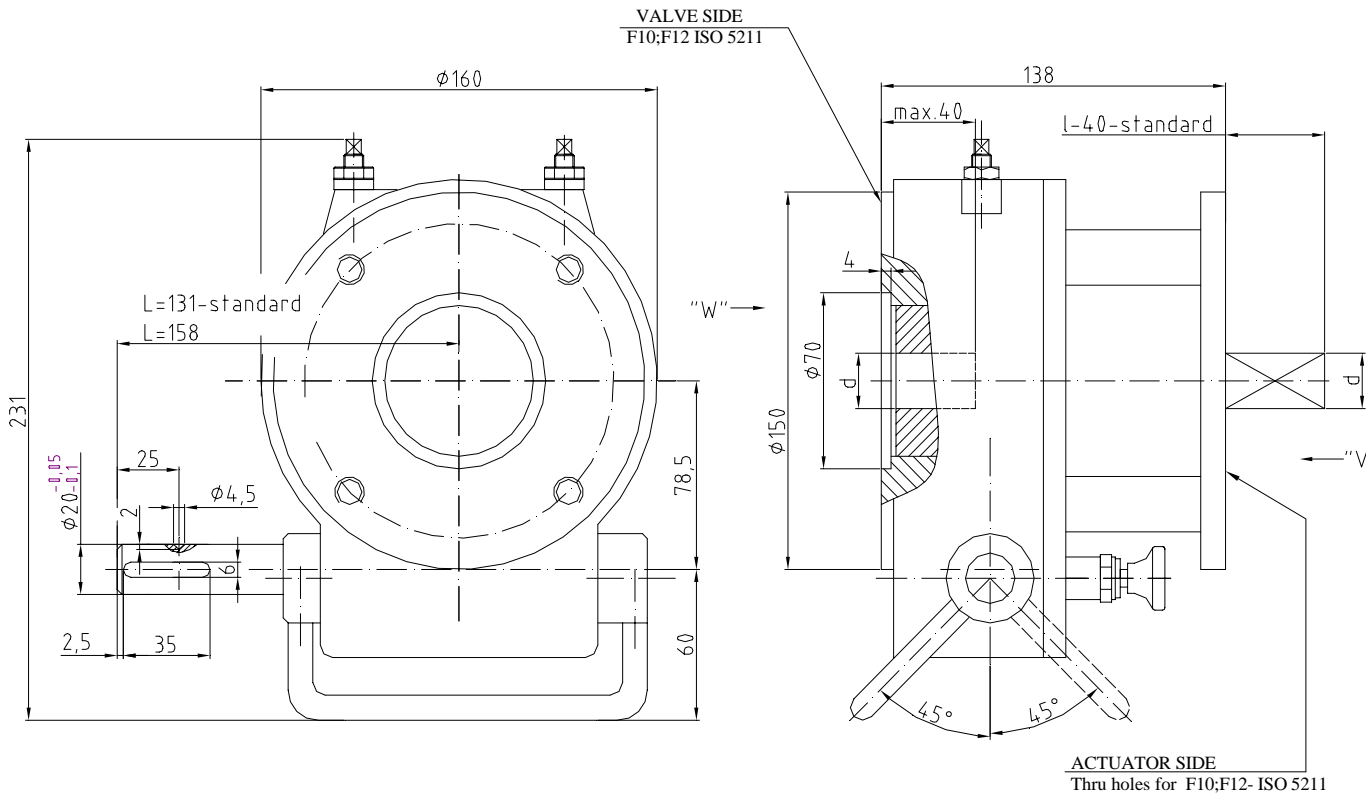
ORDERING CODE:

RMD-1A	x	F10	-	C17	/	F07	-	C17	x	35	-	112
Type		Valve flange		d-Valve coupling shape						L-Shaft length		l-length
										d-Coupling shape & dim. –actuator side		Actuator flange NCI-31

DECLUTCHABLE "1/4-TURN" -ACTUATOR RMD 2A



Sheet nr.	616b
Date	05.03.2003



Alluminium Handweel Ø225-Standard
Should be ordered separately

TECHNICAL FEATURES:

- Output rated torque.....800 Nm
- Input torque.....55 Nm
- Ratio.....48
- Output angular stroke.....90°±5°
- Handwheel turns for a complete stroke....10,25
- Capsulation.....IP 65
- Materials acc.to Specification nr.128

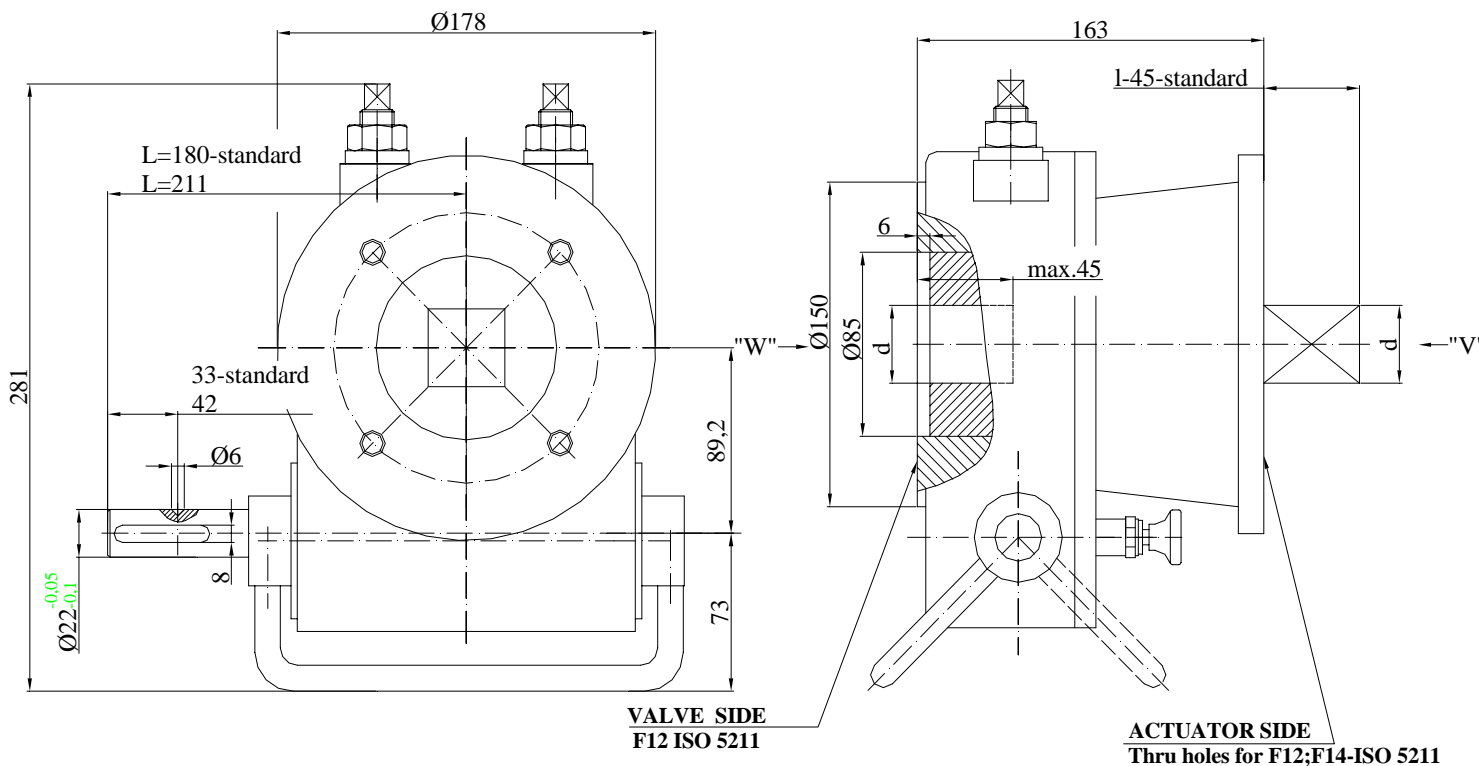
ORDERING CODE:

RMD-2A	x	F12	-	C25	/	F10	-	C25	x	40	-	131
Type												L-Shaft length
Valve side ISO 5211												I-length
d-Valve coupling shape												d-Coupling shape & dim. -actuator side
												Thru holes for actuator side ISO 5211

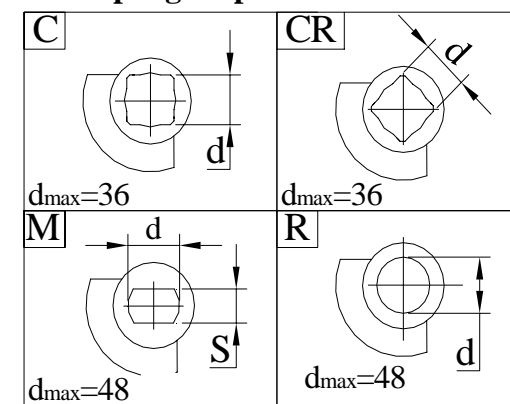
DECLUTCHABLE "1/4-TURN" -ACTUATOR RMD 3A



Sheet nr.	617b
Date	05.03.2003



View "V"; "W"
Coupling shape Position "closed"



Hand wheel - A450-standard;
-A350
Should be ordered separately

TECHNICAL FEATURES:

- Output rated torque.....1150 Nm
- Input torque.....75 Nm
- Ratio.....49
- Output angular stroke..... $90^\circ \pm 5^\circ$
- Hand wheel turns for a complete stroke....10.25
- Capsulation.....IP 65
- Materials acc. to. Specification nr.128

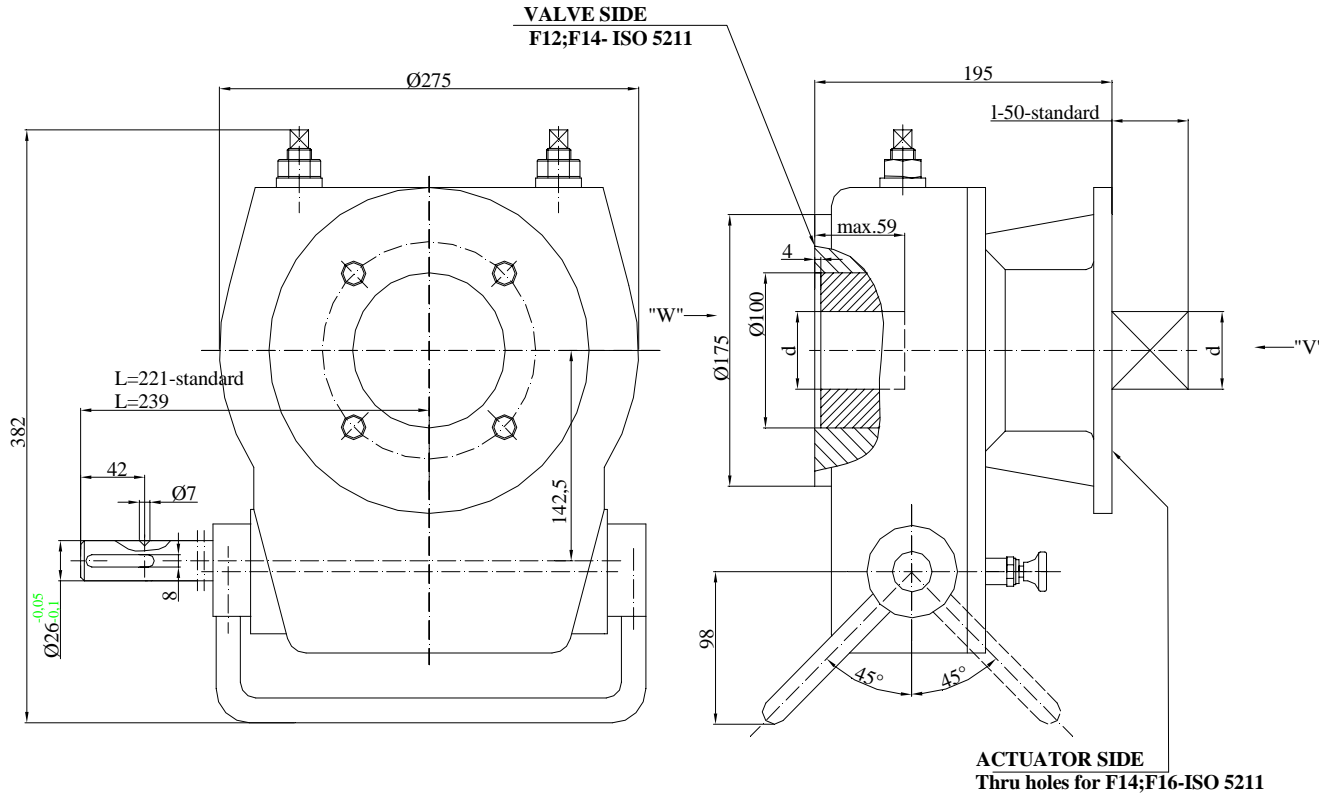
ORDERING CODE:

RMD-3A	x	F12	-	C36	/	F12	-	C36	x	45	-	180
Type										L-Shaft length		
Valve side ISO 5211										l-length		
d-Valve coupling shape										d-Coupling shape & dim. -actuator side		
										Thru holes for actuator side ISO 5211		

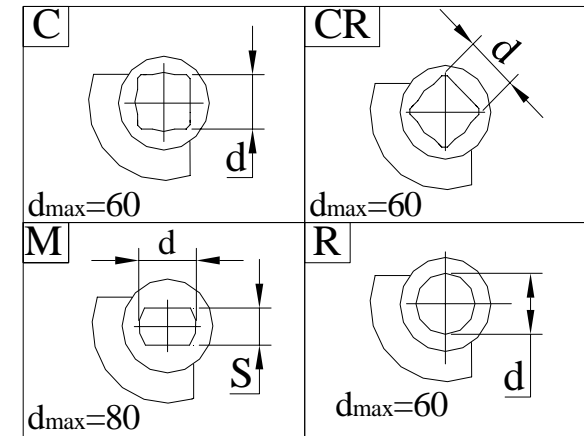
DECLUTCHABLE "1/4-TURN" -ACTUATOR RMD 4A



Sheet nr.	618b
Date	05.03.2003



View "V"; "W"
Coupling shape Position "closed"



Hand wheel - A600-standard
Should be ordered separately

TECHNICAL FEATURES:

- Output rated torque.....2500 Nm
- Input torque..... 190 Nm
- Ratio.....44
- Output angular stroke..... $90^{\circ} \pm 5^{\circ}$
- Hand wheel turns for a complete stroke.....11
- Capsulation.....IP 65
- Materials acc. to. Specification 128

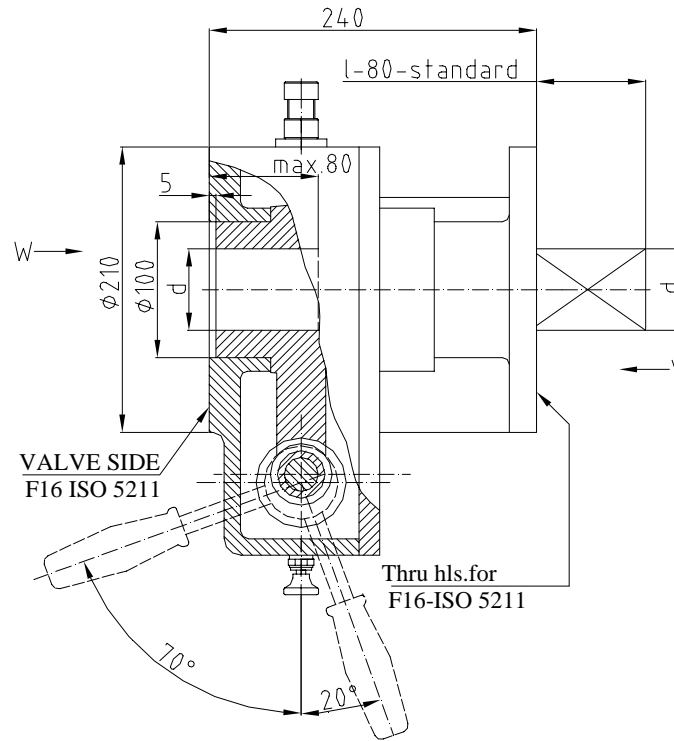
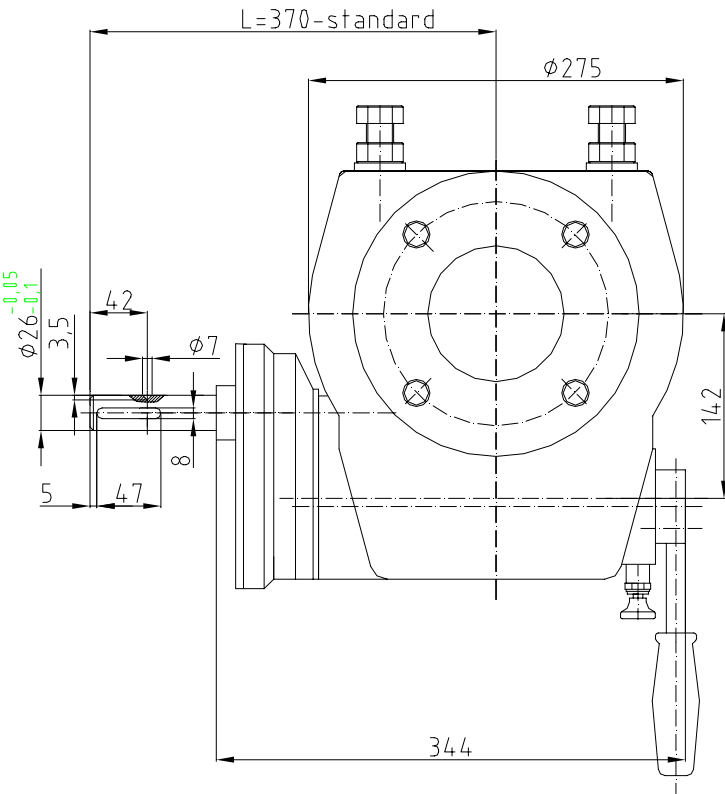
ORDERING CODE:

RMD-4A	x	F14	-	C50	/	F14	-	C50	x	55	-	221
Type										L-Shaft length		
Valve side ISO 5211										l-length		
d-Valve coupling shape										d-Coupling shape & dim. -actuator side		
										Thru holes for actuator side ISO 5211		

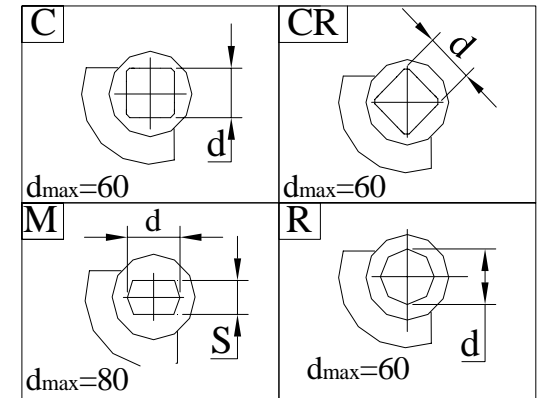
DECLUTCHABLE "1/4-TURN" -ACTUATOR RMD 5



Sheet nr.	619b
Date	05.03.2003



View "V"; "W"
Coupling shape Position "closed"



Handwheel - A600
Should be ordered separately

TECHNICAL FEATURES:

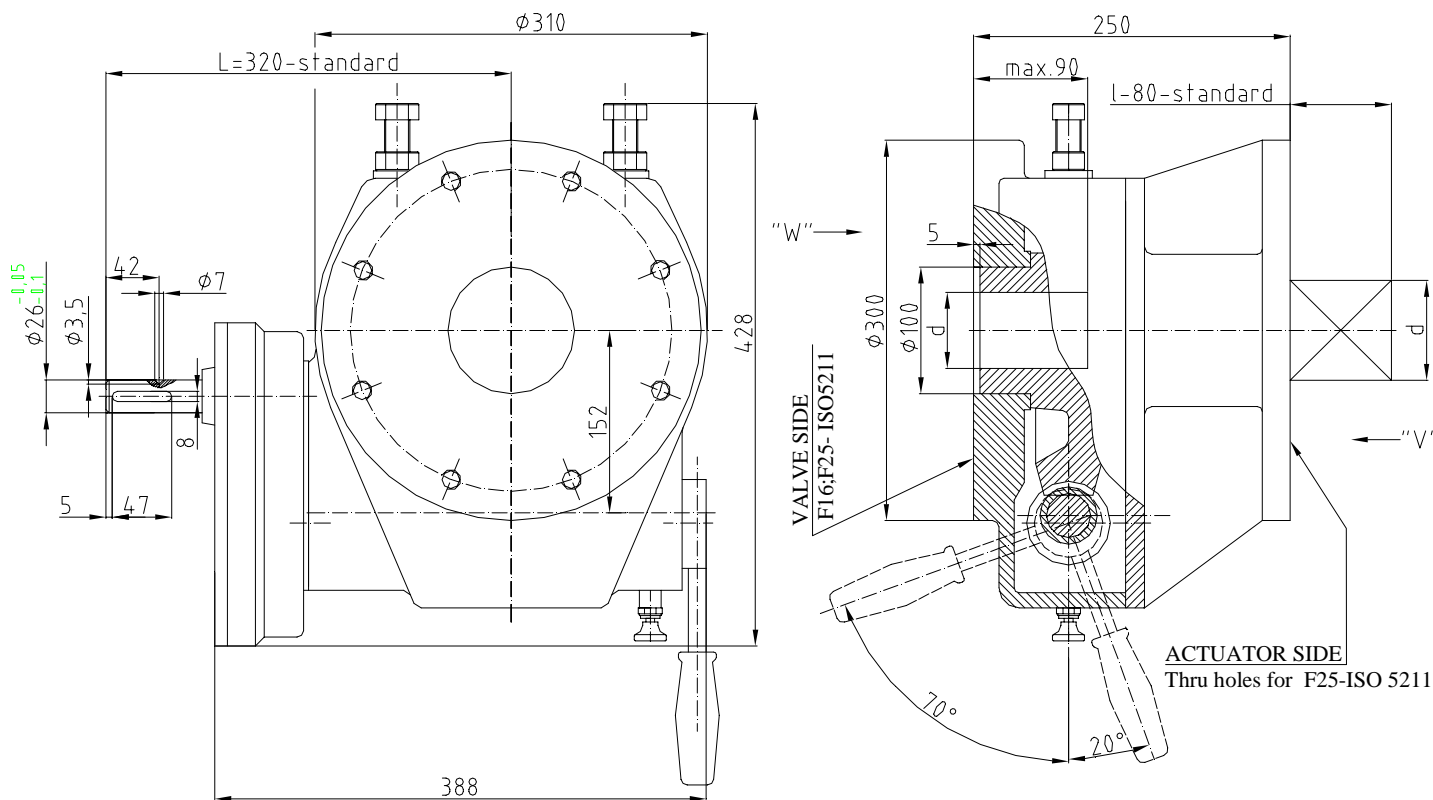
Output rated torque.....4000 Nm
 Input torque..... 104 Nm
 Ratio.....127,9
 Output angular stroke..... $90^\circ \pm 5^\circ$
 Handwheel turns for a complete stroke....10.25
 Capsulation.....IP 65

ORDERING CODE:

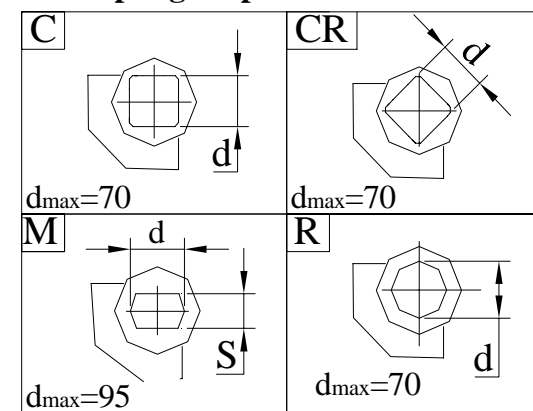
RMD-5	x	F16	-	C60	/	F16	-	C60	x	80	-	370
Type		Valve side ISO 5211		d-Valve coupling shape		d-Coupling shape & dim. -actuator side		Thru hls. for actuator side ISO 5211		L-Shaft length		I-length

DECLUTCHABLE "1/4-TURN" -ACTUATOR RMD 6

Sheet nr.	620b
Date	05.03.2003



View "V";"W"
Coupling shape Position "closed"



Handwheel - A600
Should be ordered separately

TECHNICAL FEATURES:

Output rated torque.....8000 Nm
 Input torque..... 144 Nm
 Ratio.....216
 Output angular stroke.....90°±5°
 Handwheel turns for a complete stroke....10,25
 Capsulation.....IP 65

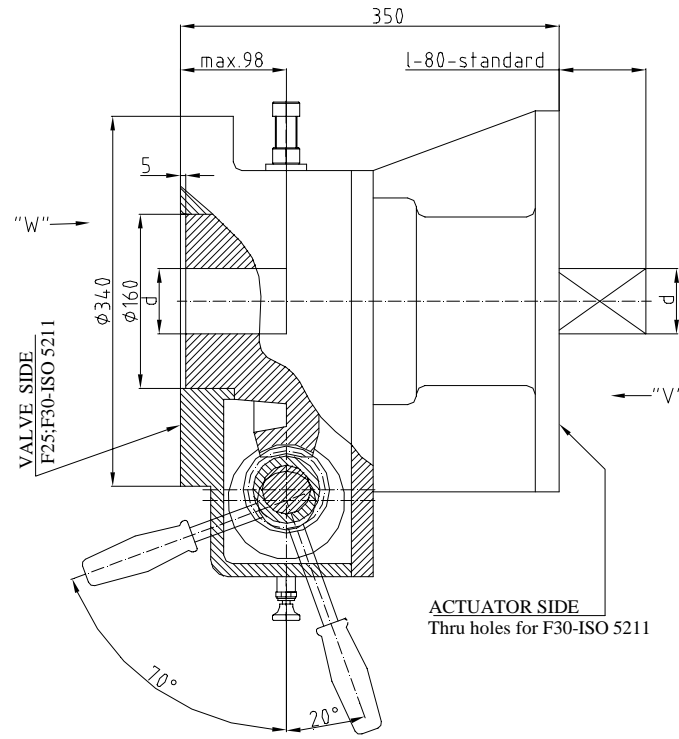
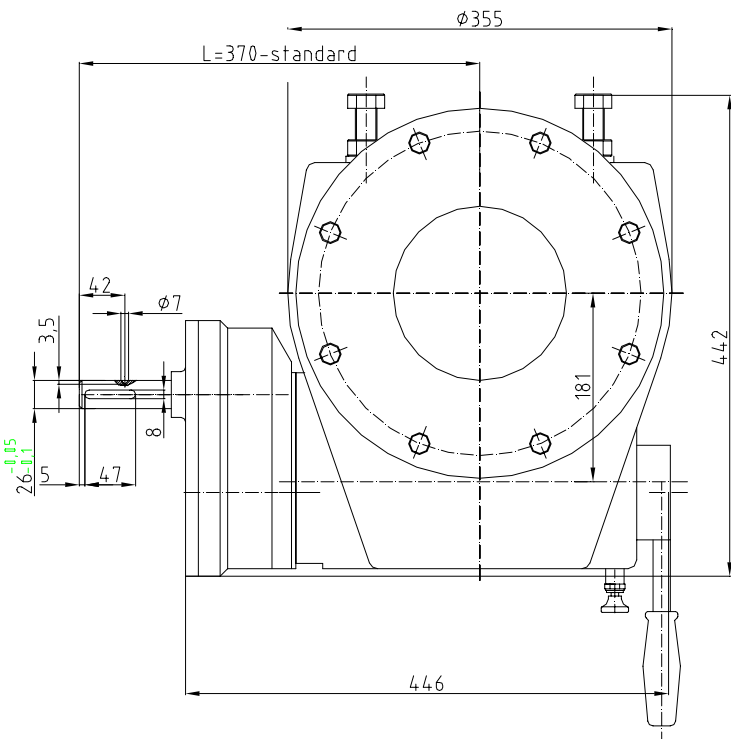
ORDERING CODE:

RMD-6	x	F25	-	C70	/	F25	-	C70	x	80	-	320
Type												L-Shaft length
Valve side ISO 5211												l-length
d-Valve coupling shape												d-Coupling shape & dim. –actuator side
												Thru holes for actuator side ISO 5211

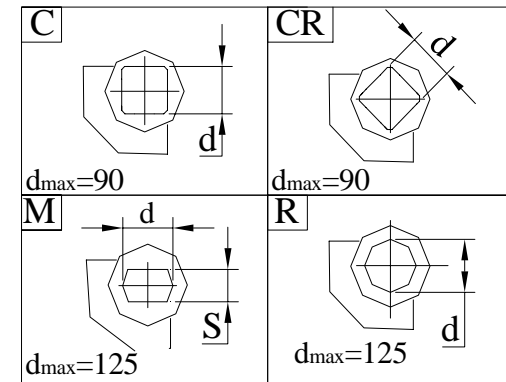
DECLUTCHABLE "1/4-TURN" -ACTUATOR RMD 7



Sheet nr.	621b
Date	05.03.2003



View "V"; "W"
Coupling shape Position "closed"



Handwheel - A800
Should be ordered separately

TECHNICAL FEATURES:

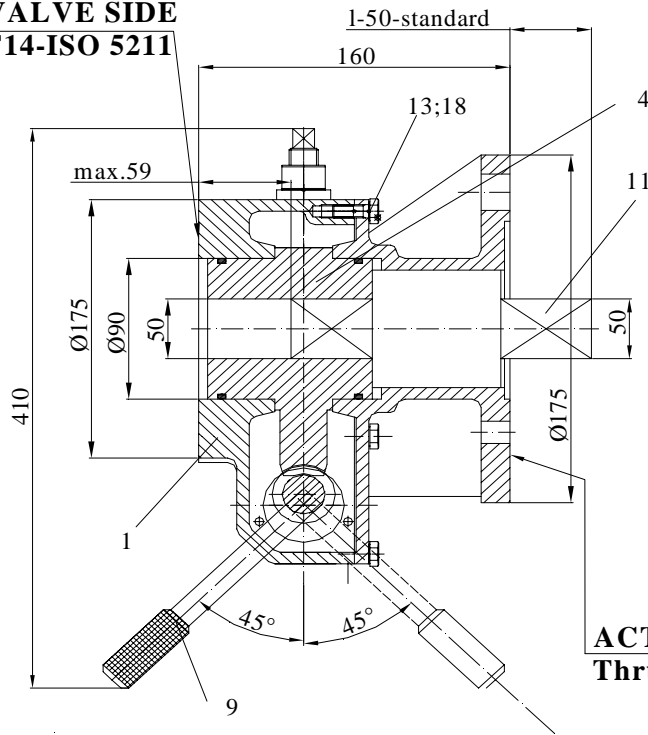
- Output rated torque.....16000 Nm
- Input torque.....163 Nm
- Ratio.....379,5
- Output angular stroke..... $90^\circ \pm 5^\circ$
- Handwheel turns for a complete stroke....10,25
- Capsulation.....IP 65

ORDERING CODE:

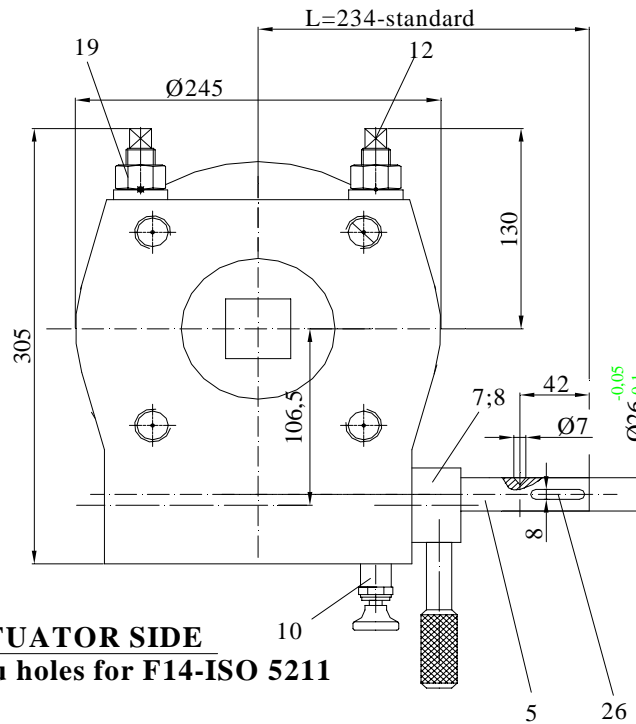
RMD-7	x	F30	-	C70	/	F30	-	C70	x	80	-	370
Type		Valve side ISO 5211		d-Valve coupling shape						L-Shaft length		I-length
d-Coupling shape & dim. -actuator side												
Thru holes for actuator side ISO 5211												

DECLUTCHABLE "1/4-TURN" –ACTUATOR RMD 125M

**VALVE SIDE
F14-ISO 5211**

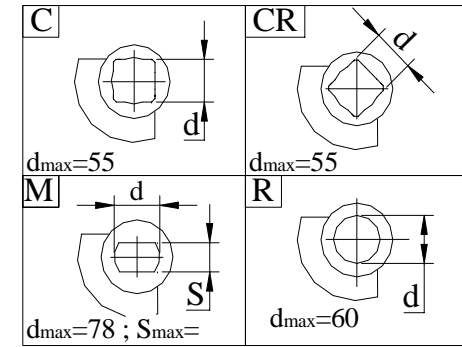


ACTUATOR SIDE
Thru holes for F14-ISO 5211



Sheet nr.	466b
Date	01.09.2006

View "V"; "W"
Coupling shape Position "closed"



Aluminum hand wheel –ø350-standard
Should be ordered separately!

TECHNICAL FEATURES:

Output rated torque.....	2500 Nm
Input torque.....	110 Nm
Ratio.....	76
Output angular stroke.....	90°±5°
Hand wheel turns for a complete stroke.....	19
Capsulation.....	IP67

ORDERING CODE:

RMD125M	x	F14	-	C50	/	F14	-	C50	x	55	-	234
Type		Valve side ISO 5211		d-Valve coupling shape						L-Shaft length		I-length
						d-Coupling shape & dim. –actuator side						Thru holes for actuator side ISO 5211

Nr	Description	Material	Specification
1	Housings	Cast iron	GG-25-DIN 1691
4	Quadrant	Ductile Iron	GGG40-DIN1693
5	Input shaft	Stainless Steel A4	X5CrNiMo17-12-2/AISI 316
7	Sleeves	Bronze-CuSn 6	DIN 17662
8	Bushing	Stainless Steel A4	X5CrNiMo17-12-2/AISI 316
9	Lever	Stainless Steel A4	X5CrNiMo17-12-2/AISI 316
10	Locking screw	Stainless Steel A4	X5CrNiMo17-12-2/AISI 316
11	Driver	Stainless Steel	X20Cr13-DIN 17440
12	Set screws	Stainless Steel A4	X5CrNiMo17-12-2/AISI 316
13	Pin	Stainless Steel A4	X5CrNiMo17-12-2/AISI 316
18	Screw	Stainless Steel A4	X5CrNiMo17-12-2/AISI 316
19	Nut	Stainless Steel A4	X5CrNiMo17-12-2/AISI 316
21	Grease	Lithium-Calcium	UM170LiCaPb2
26	Parallel key	Stainless Steel A4	X5CrNiMo17-12-2/AISI 316
	Input bearings	-	51205-DIN 625
	"O" ring	Nitrile-DIN 3771	Nitrile-DIN 3771

