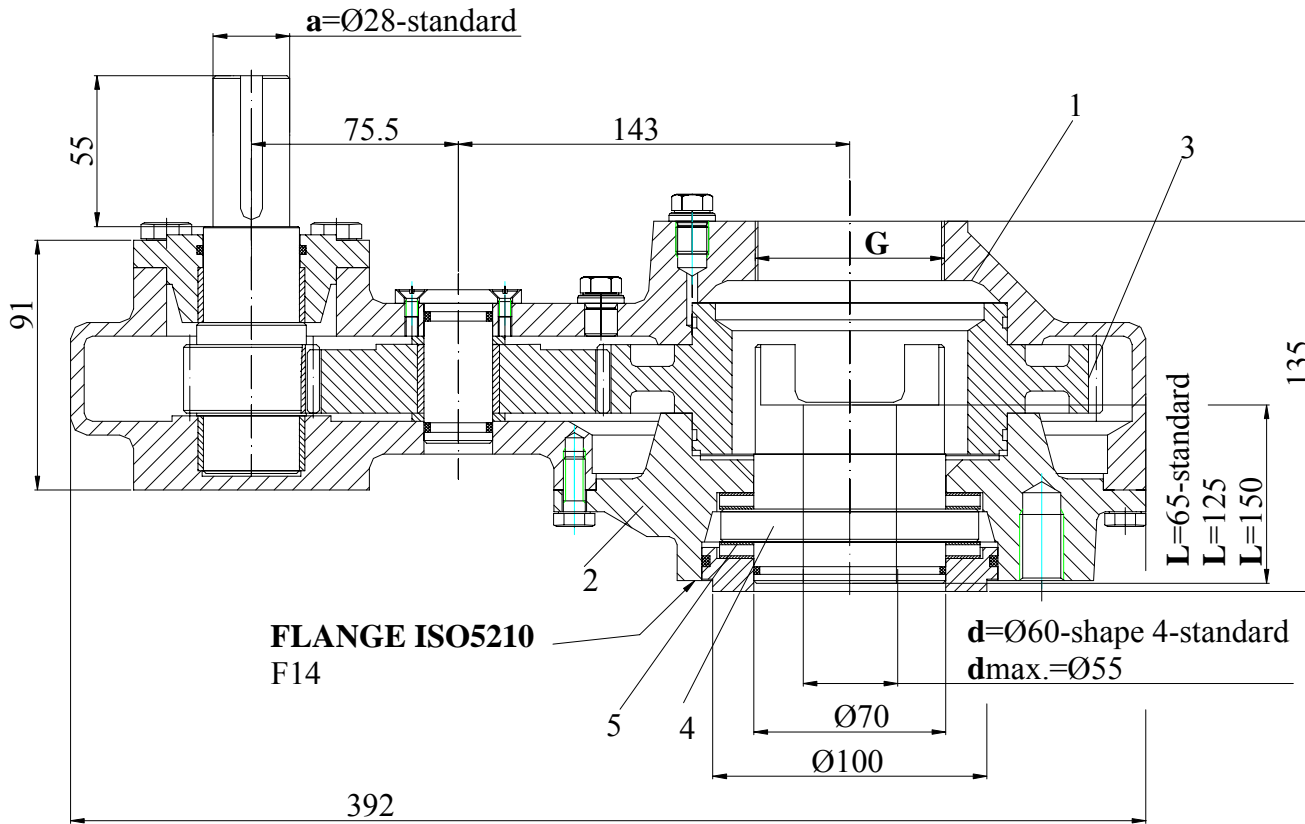


# BEVEL GEAR UNIT ICR-5



Sheet no.	772b
Date	01.09.2006



MATERIALS	
1. Helical gear housing:	Fc 250/GG25
2. Intermediate:	Fc 250/GG25
3. Helical gear:	OLC 45 / C 45
4. Driving nut:	CuAl10Fe3T
5. Bearing:	ANK7095

TECHNICAL FEATURES	
• Bevel gear ratio:	4
• Output torque :	500 N m
• Axial load:	120kN

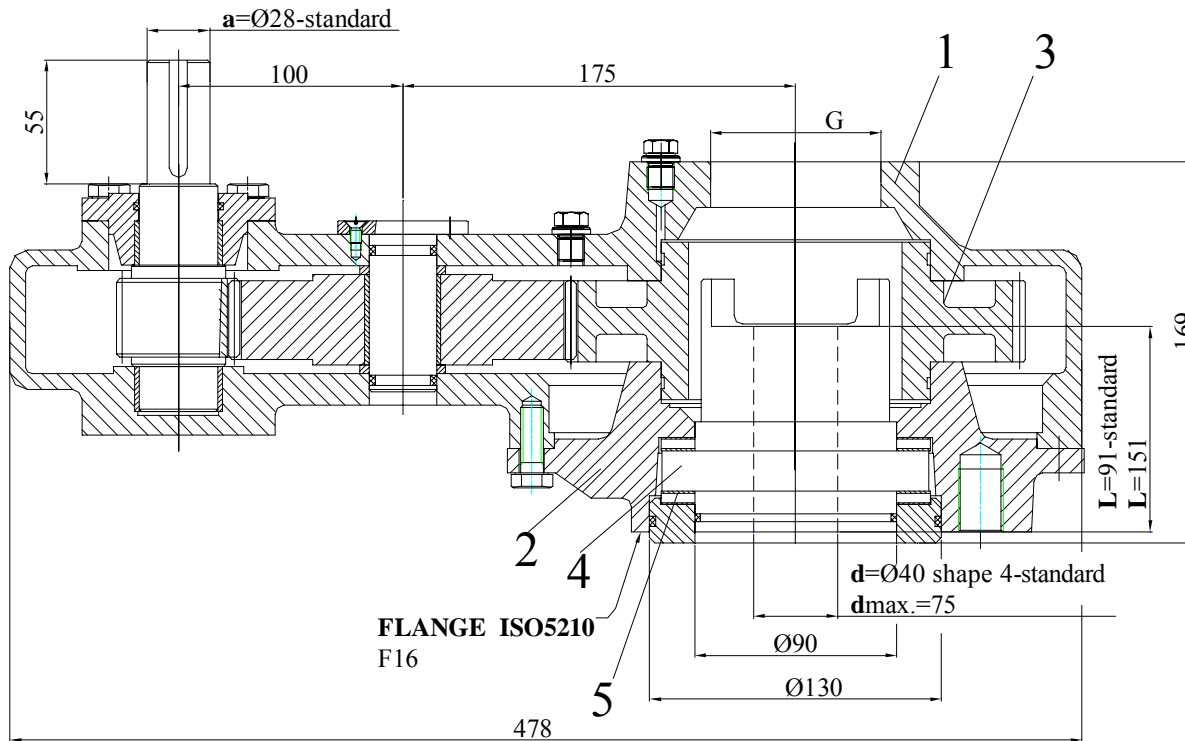
## ORDERING CODE :

ICR-5	x 4	-	F14	-	28	-	2 3/8"	-	1	/	50	-	65
Type													
Ratio													
Coupling flange output ISO5210													
a-Input shaft diameter-key acc.to DIN 6885													
										L= Nut width			
										d- Coupling shape dimension			
										d- Coupling shape code-acc.to NCI 30			
										G-Stem tube thread			

Hand wheel – max. A350  
 Guard:A70(2 3/8")  
 Should be ordered separately!

# BEVEL GEAR UNIT ICR-10

Sheet nr.	773b
Date	29.05.2006



## MATERIALS

1. Helical gear housing.....Fc 250/GG25
2. Intermediate.....Fc 250/GG25
3. Helical gear.....OLC 45 / C 45
4. Driving bush.....Al10Fe3T/G-SnBz10
5. Bearings.....ANK 90120

## TECHNICAL FEATURES

- Bevel gear ratio: 4
- Output torque: 1000 Nm

## ORDERING CODE :

**ICR-10 x 4 - F16 - 28 - 3" - 1 / 90 - 91**

Type

Ratio

Coupling flange output ISO5210

a-Input shaft diameter-key acc.to DIN 6885

L= Nut width

d- Coupling shape dimension

d- Coupling shape code-acc.to NCI 30

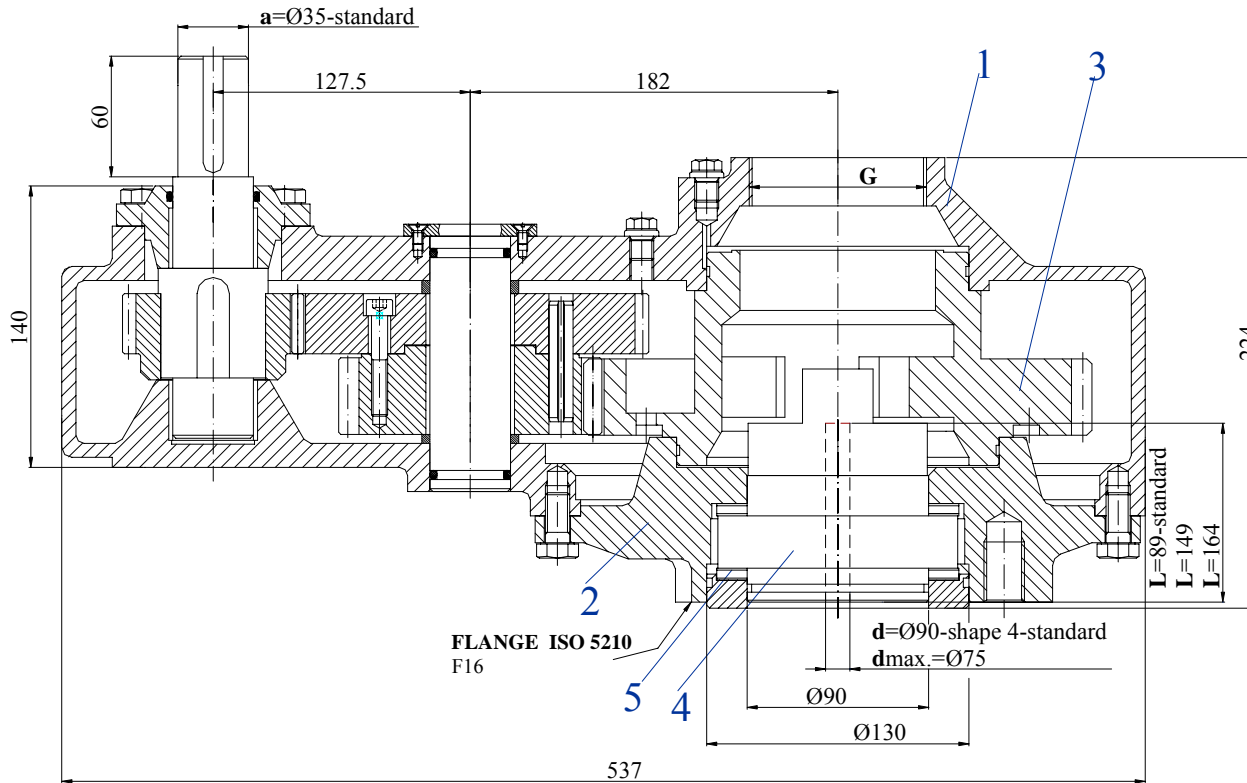
G-Stem tube thread

*Hand wheel – max.A400*

*Guard:A88,9(3")*

*Should be ordered separately!*

# BEVEL GEAR UNIT ICR-20



Sheet no.	774b
Date	01.09.2006

## MATERIALS

1.Helical gear housing:	F c 250/GG25
2.Intermediate:	F c 250/GG25
3.Helical gear:	OLC 45 / C 45
4.Driving nut:	CuAl10Fe3T
5.Bearing:	ANK60120

## TECHNICAL FEATURES

• Bevel gear ratio:	4,2;6;10
• Output torque:	2000 N m
• Axial load:	320kN

## ORDERING CODE :

**ICR-20 x 6 - F16 - 35 - 3" - 1 / 50 - 89**

Type	x 6	F16	35	3"	1	/ 50	89
Ratio							
Coupling flange output ISO5210							
a-Input shaft diameter-key acc.to DIN 6885							
							L= Nut width
							d- Coupling shape dimension
							d- Coupling shape code-acc.to NCI 30
							G-Stem tube thread

*Hand wheel – A400;max.A500  
Guard:A88,9(3")  
Should be ordered separately!*

