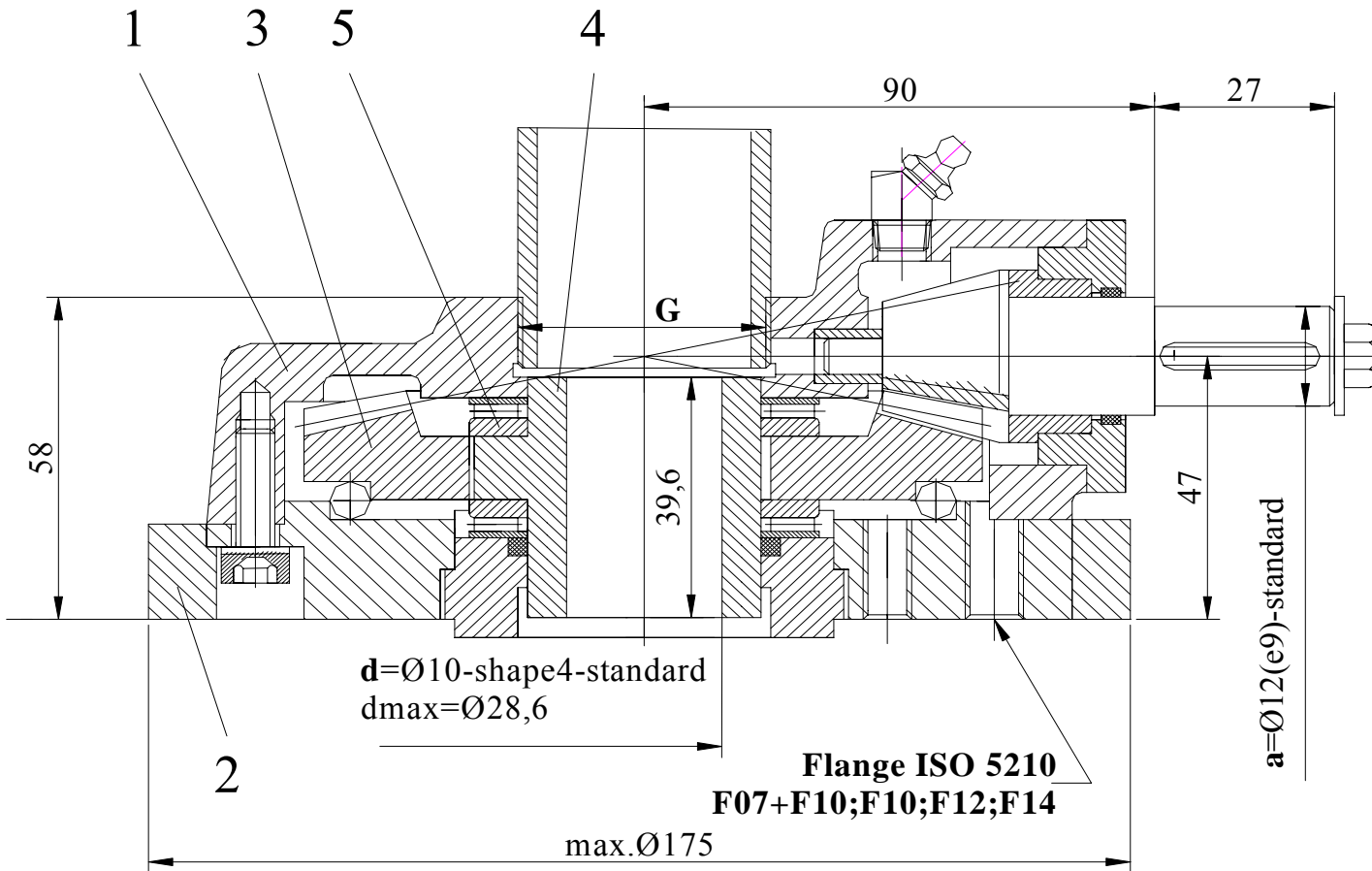


BEVEL GEAR UNIT **RK – 0.15** FOR MULTI-TURN VALVES

Sheet no.	573a
Date	22.07.2004



MATERIALS	
1. Bevel gear housing:	OT 450/GS-45
2. Intermediate:	OL 50/St50
3. Bevel gear:	OLC 45 / C 45
4. Driving nut:	CuAl10Fe3T Fagn Ni22
5. Bearings:	ANK 3552

TECHNICAL FEATURES	
• Bevel gear ratio:	4
• Output torque:	150 N m
• Axial load:	50kN

Ratio	Input torque (N m)	D (mm)	Handwheel tangential force (N)
4	47	140	2x334
		225	2x208

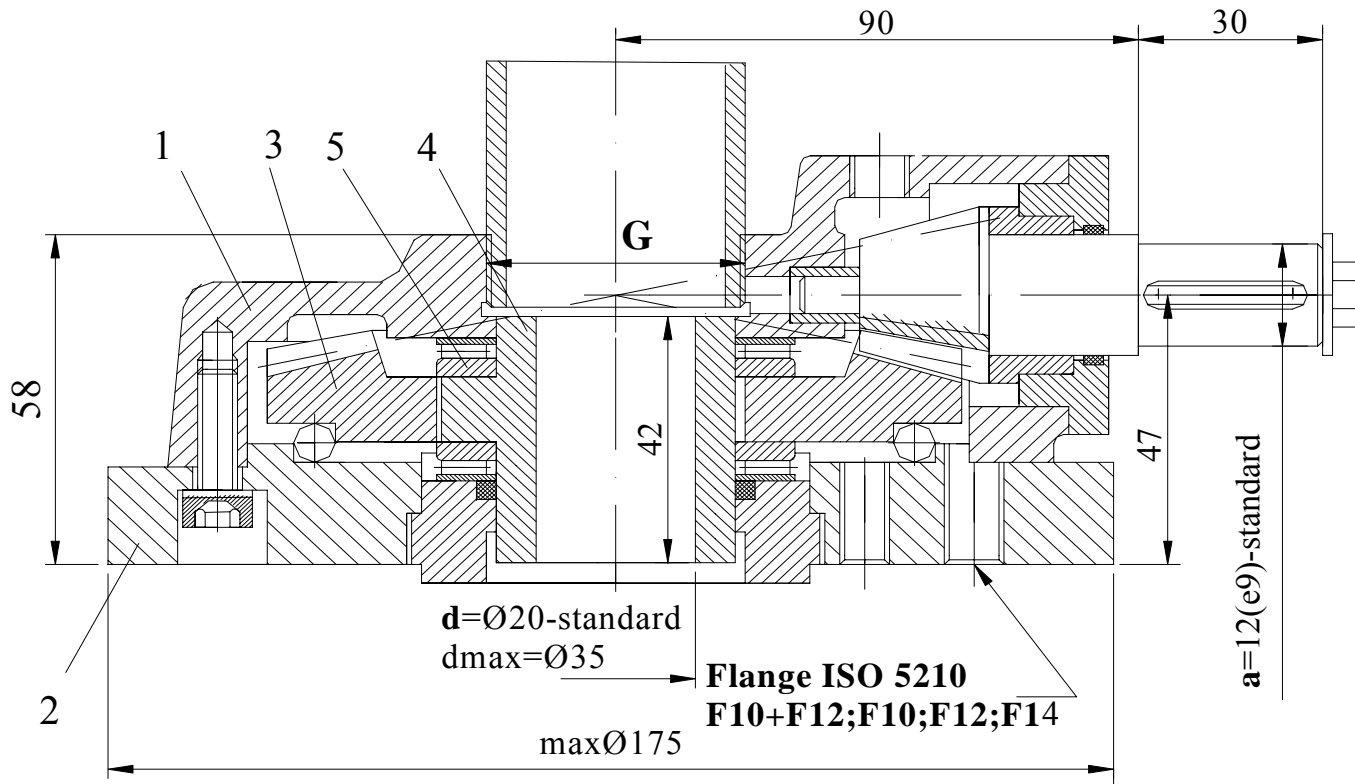
ORDERING CODE :

RK 0.15 x **4** - **F10** - **OB** - **12** - **1 1/8"** - **4 / 10**
 Type Ratio
 Coupling flange ISO 5210 **d**- Coupling shape dimension
OB- Driving nut B z -standard **d**-Coupling shape code-acc. to **NCI-30**
OF- Driving nut F a g n Ni 22 **G**-Stem tube thread
 a-Input shaft diameter-key acc. to DIN 6885

Handwheel – **Ø 225-standard**
 Ø 140
 Stem tube – **A 38(1 1/8")**
Should be ordered Separately!

BEVEL GEAR UNIT **RK – 0.2** FOR MULTI-TURN VALVES

Sheet nr.	683a
Date	27.07.2004



MATERIALS	
1. Bevel gear housing:	OT 450/GS 45
2. Intermediate:	OLC45/C45
3. Bevel gear:	OLC 45 / C 45
4. Driving nut:	Cu Al10 Fe 3T Fagn Ni 22
5. Bearings:	ANK 4565

TECHNICAL FEATURES	
• Bevel gear ratio:	4
• Output torque:	200 N m
• Axial load:	70kN

Ratio	Input torque (N m)	D (mm)	Handwheel tangential force (N)
4	62	225	2x266
		300	2x200

ORDERING CODE :

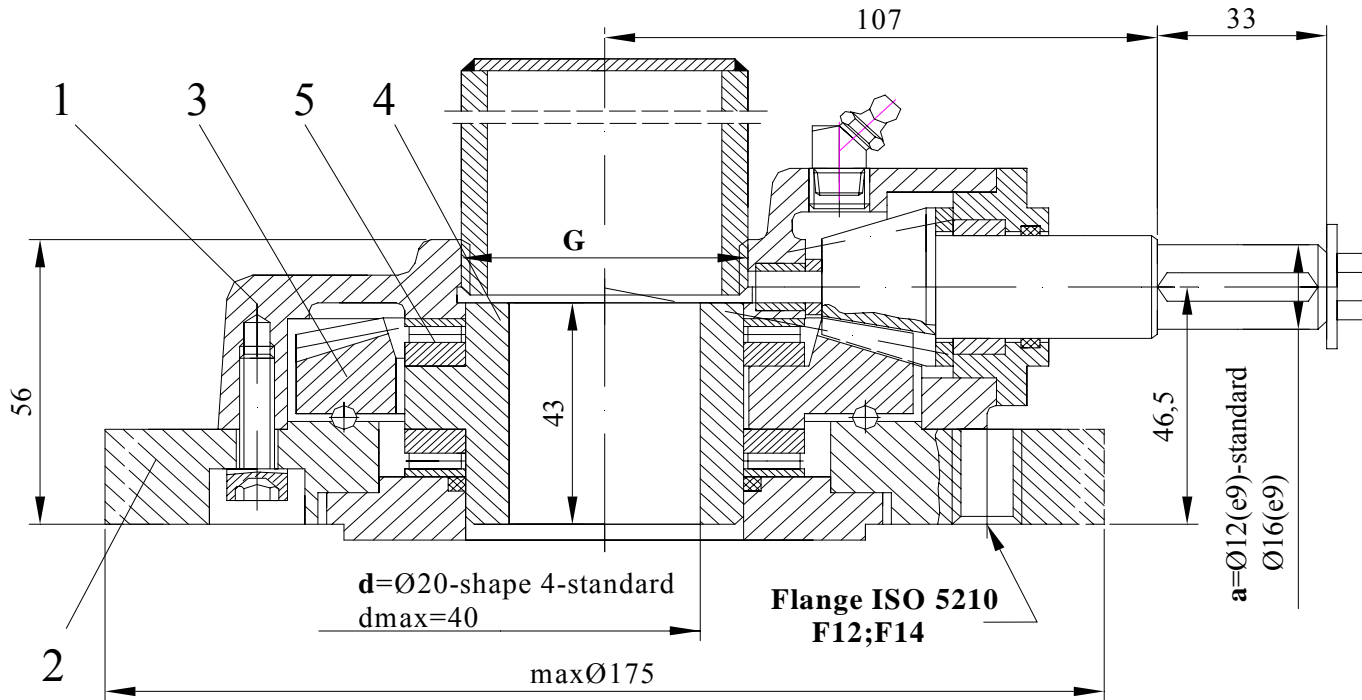
RK 0.2	x 4	- F14	- OB	- 12	- 1 1/2"	- 4 / 20
Type	Ratio	Coupling flange ISO 5210	OB- Driving nut Bz -standard OF- Driving nut Fagn Ni 22			d- Coupling shape dimension d-Coupling shape code-acc. to NCI-30 G-Stem tube thread a-Input shaft diameter-key acc. to DIN 6885

*Handwheel – ø 300-standard
ø 225
Stem tube – A 48(1 1/2")
Should be ordered Separately!*

BEVEL GEAR UNIT RK – 0.3 FOR MULTI-TURN VALVES



Sheet nr.	685 b
Date	03.06.2005



MATERIALS

- 1.Bevel gear housing: OT 450/GS 45
- 2.Intermediate: OL 50/St50
- 3.Bevel gear: OLC 45/C45
- 4.Driving nut: Cu Al10 Fe 3T
Fagn Ni 22
- 5.Bearings: ANK 5070

TECHNICAL FEATURES

- Bevel gear ratio: 4
- Output torque: 300 Nm
- Axial load: 70 kN

Ratio	Input torque (Nm)	D (mm)	Handwheel tangential force (N)
4	93	225	2x412
		350	2x265

ORDERING CODE :

RK 0.3 x 4 - F14 - OB - 16 - 1 1/2" - 4 / 20

Type		d - Coupling shape dimension
Ratio		d -Coupling shape-acc. to NCI-30
Coupling flange ISO 5210		G -Stem tube thread
OB - Driving nut Bz -standard		a -Input shaft diameter- key acc. to DIN 6885
OF - Driving nut Fagn Ni 22		

Handwheel – A350 -standard

A225

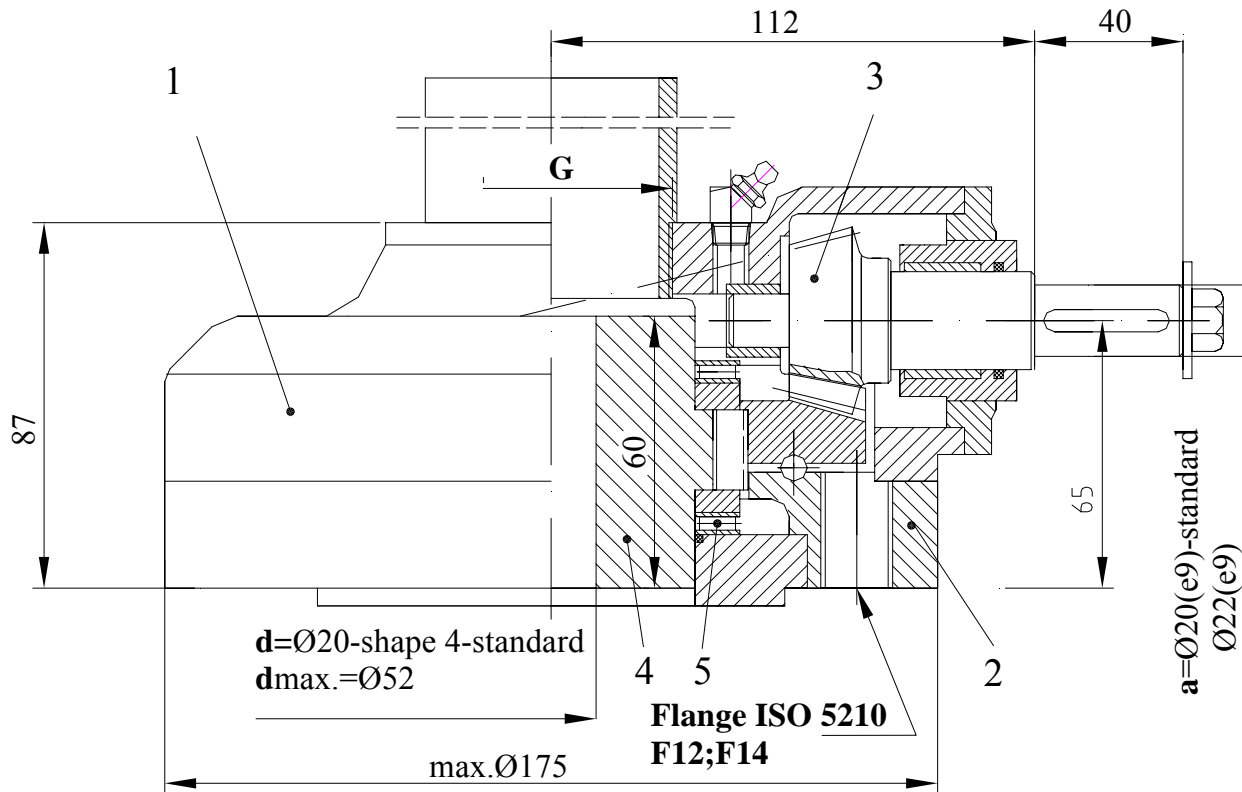
Stem tube – A48(1 1/2")

Should be ordered separately!

BEVEL GEAR UNIT **RK – 0.5** FOR MULTI-TURN



Sheet nr.	456a
Date	22.07.2004



MATERIALS

1. Bevel gear housing	OT 450/GS 45
2. Intermediate:	OL 50 /St 50
3. Bevel gear:	OLC 45/C45
4. Driving nut:	Cu Al10Fe3T Fagn Ni 22
5. Bearings:	ANK 6085

TECHNICAL FEATURES

• Bevel gear ratio:	4
• Output torque:	500 Nm
• Axial load:	120 kN

Ratio	Input torque (Nm)	D (mm)	Handwheel tangential force(N)
3,5	179	350	2x512
		400	2x447
		600	2x298
4 standard	156	350	2x446
		400	2x390
		600	2x260

ORDERING CODE :

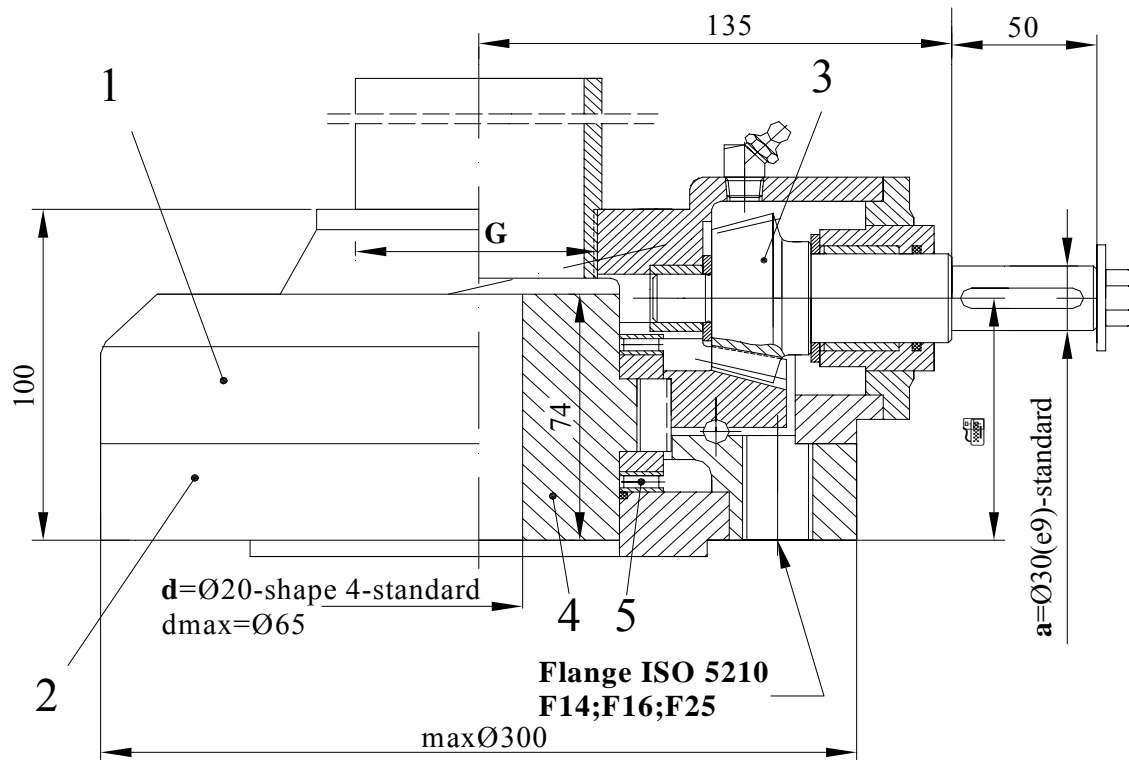
RK 0.5 x 4 - F14 - OB - 20 - 2" - 4 / 20

Type	Ratio	Coupling flange ISO 5210	OB- Driving nut Bz -standard	OF- Driving nut Fagn Ni 22	d- Coupling shape dimension	d-Coupling shape code-acc. to NCI-30	G- Stem tube thread	a-Input shaft diameter-key acc. to DIN 6885
------	-------	--------------------------	------------------------------	----------------------------	-----------------------------	---	---------------------	---

*Handwheel – A400-standard
A350 ; ; A600
Stem tube – A60(2")-standard
A70(2 3/8")
Should be ordered separately!*

BEVEL GEAR UNIT **RK – 1** FOR MULTI-TURN VALVES

Sheet nr.	742b
Date	27.09.2005



MATERIALS

1. Bevel gear housing:	OT 450/GS 45
2. Intermediate:	OL 50/St50
3. Bevel gear:	OLC 45/C45
4. Driving nut:	Cu Al10Fe 3T Fagn Ni 22
5. Bearings:	ANK 90120

TECHNICAL FEATURES

- Bevel gear ratio: 4
- Output torque: 1000 Nm
- Axial load: 230 kN

Ratio	Input torque (Nm)	D (mm)	Handwheel tangential force(N)
4	312	350	2x890
		400	2x780
		600	2x617
6	217	350	2x472
		400	2x540
		600	2x360

ORDERING CODE :

RK 1 x 4 - F16 - OB - 30 - 2 3/8" - 4 / 20

Type											d- Coupling shape dimension
Ratio											d-Coupling shape code-acc. to NCI-30
Coupling flange ISO 5210											G-Stem tube thread
OB- Driving nut Bz -standard											a-Input shaft diameter-key acc. to DIN 6885
OF- Driving nut Fagn Ni 22											

Hand wheel – A600-standard

A350;A400 ;

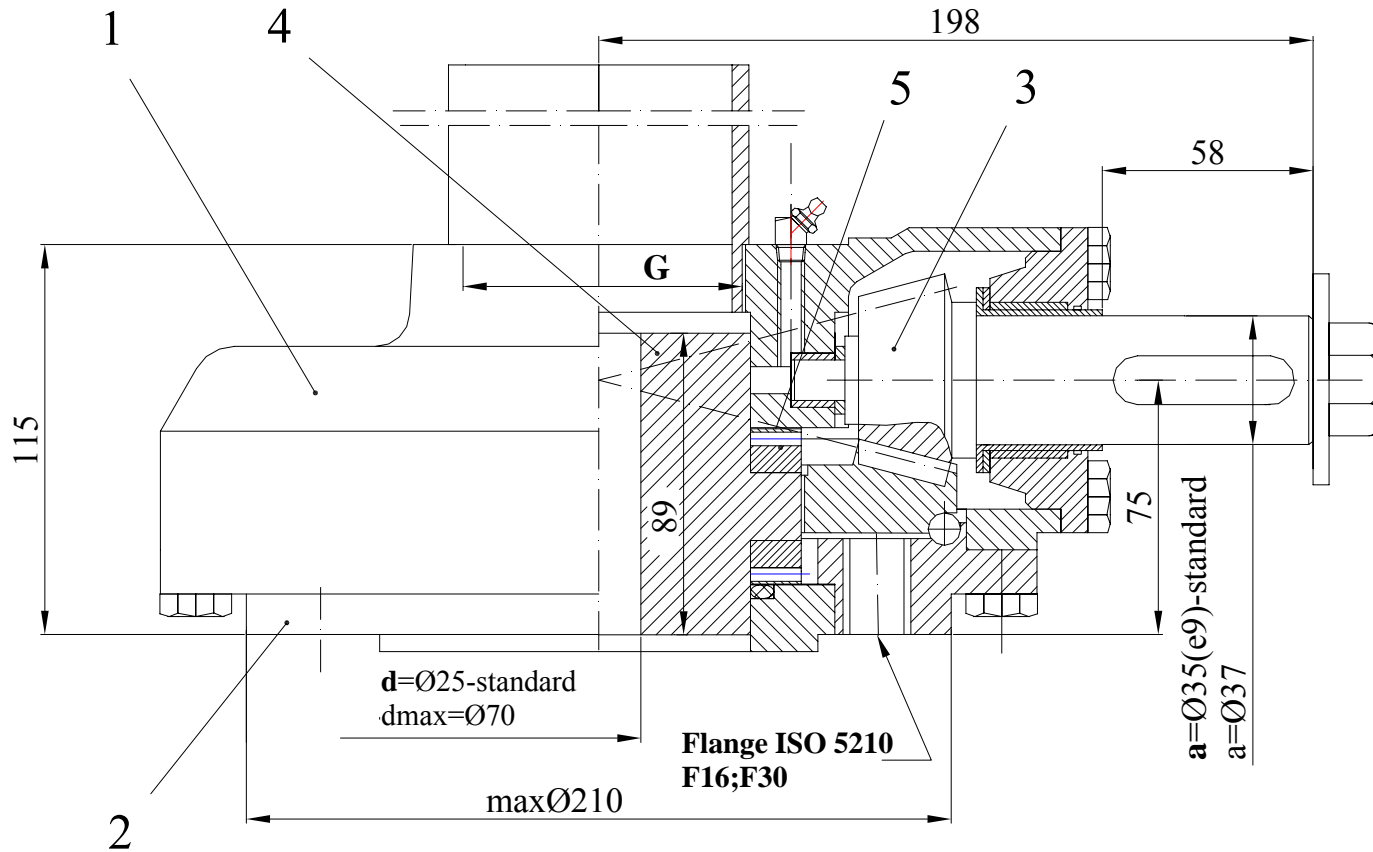
Stem tube – A70(2 3/8)

Should be ordered separately!

BEVEL GEAR UNIT **RK -2.1** FOR MULTI-TURN VALVES



Sheet no.	464d
Date	01.03.2007



MATERIALS	
1. Bevel gear housing:	OT 450/GS 45
2. Intermediate:	OL 50/St 50
3. Bevel gear:	OLC 45 / C45
4. Draving nut:	Cu Al10 Fe 3T Fagn Ni 22
5. Bearings:	ANK 90120

TECHNICAL FEATURES	
• Bevel gear ratio:	6
• Output torque:	2000 Nm
• Axial load:	320 kN

Ratio	Input torque (N m)	D (mm)	Handwheel tangential force(N)
6	416	400	2x1040
		600	2x693
		800	2x520

ORDERING CODE :

RK 2.1	x	6	-	F16	-	OB	-	35	-	3"	-	4 / 25
Type		Ratio		Coupling flange ISO 5210		OB- Driving nut Bz -standard OF- Driving nut Fagn Ni 22						d- Coupling shape dimension d-Coupling shape code-acc. to NCI-30 G-Stem tube thread a-Input shaft diameter-key acc. to DIN 6885

*Handwheel – A800-standard
A400 ; A600
Stem tube – A70(3")
Should be ordered separately!*